

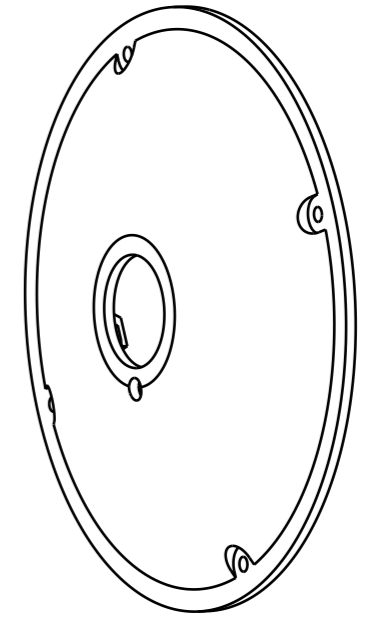
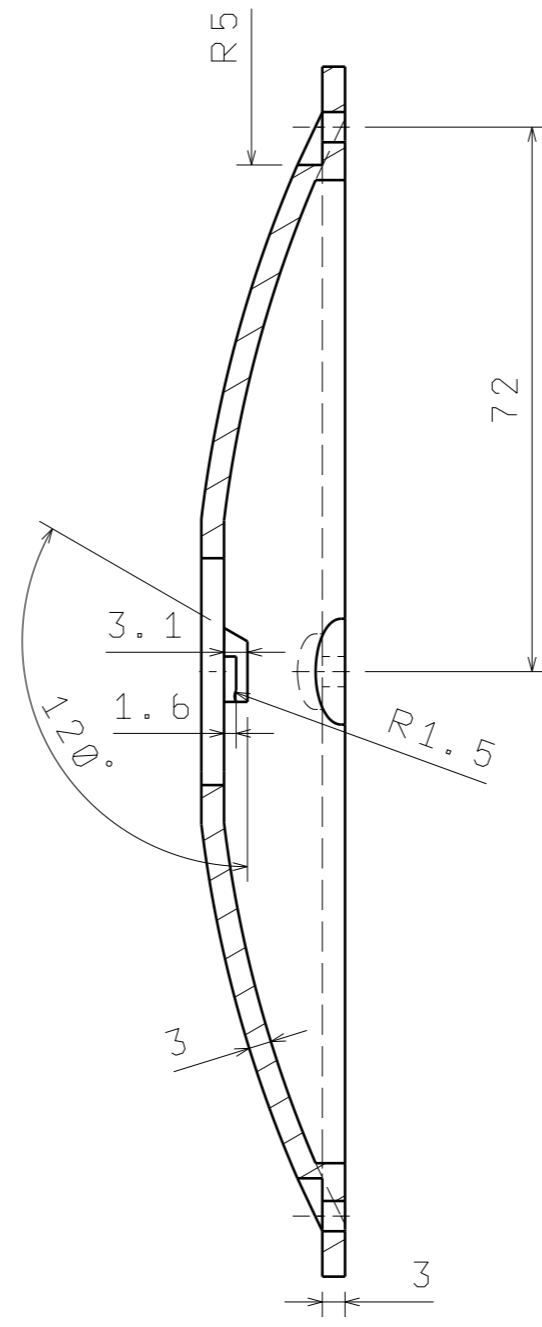
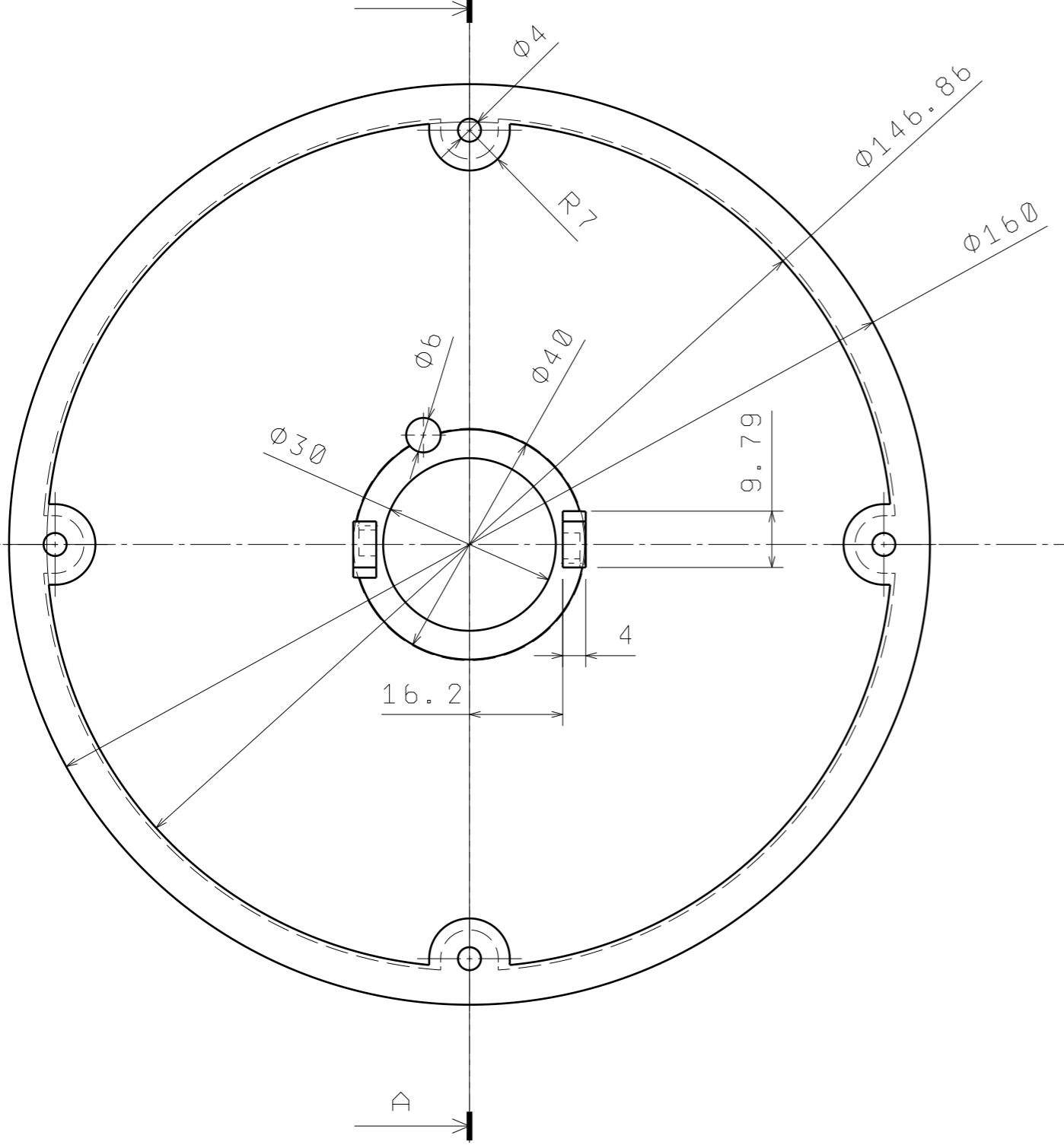
H G F E D C B A

4

3

2

1



Isometric view
Scale: 1:2

$\sqrt{\text{Ra } 0,8}$

DESIGNED BY: Jan Grulich	FAI - UTB ve Zlíně		I	-
DATE: 19.5.2011			H	-
CHECKED BY: Ing. Kamil Kyas	003		G	-
DATE: XXX			F	-
SIZE: A3	WEIGHT (kg): 0,06	DRAWING NUMBER: Predni_Kryt	E	-
SCALE: 1:1			D	-
			C	-
			B	-
			A	-
SHEET: 1/1				

This drawing is our property; it can't be reproduced or communicated without our written agreement.

H G B A