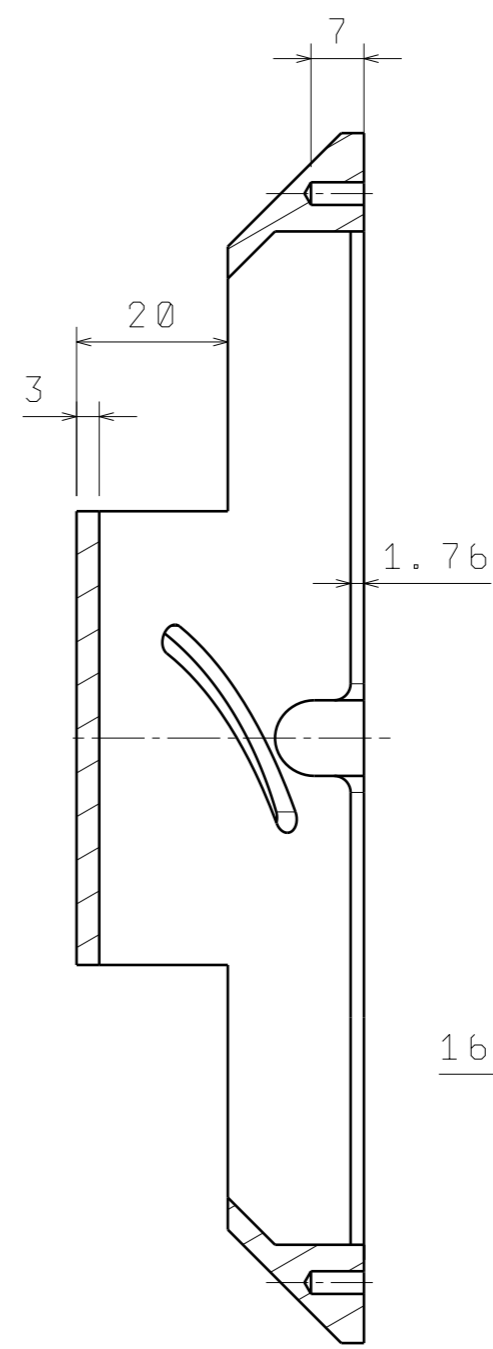
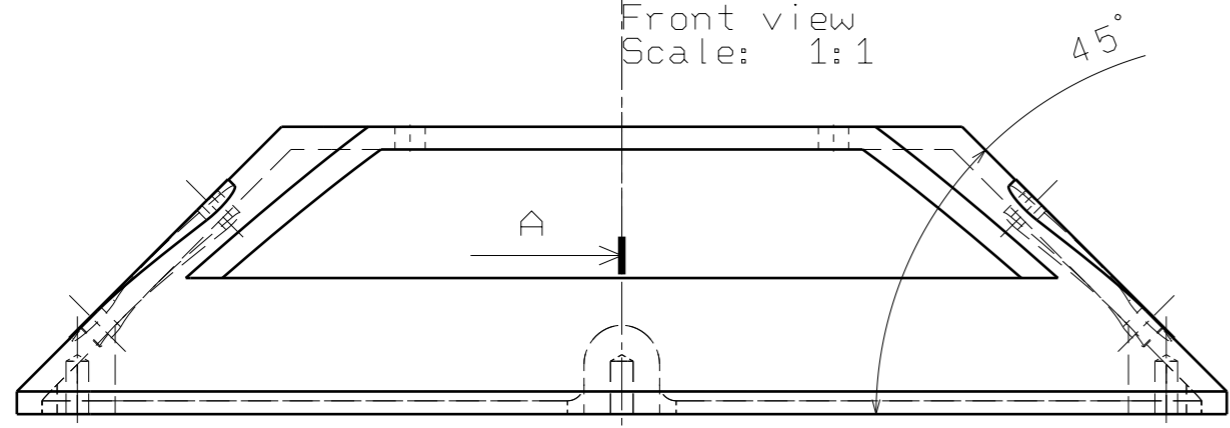
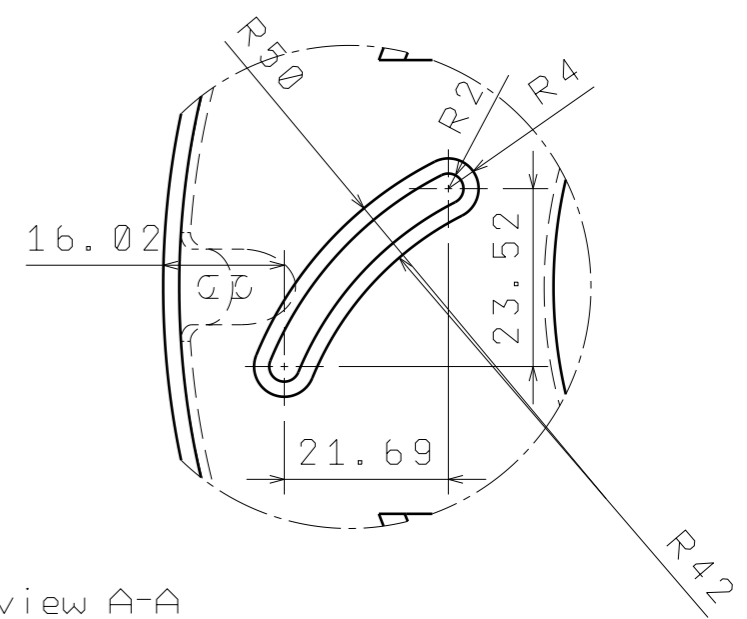


Front view
Scale: 1:1



Section view A-A
Scale: 1:1



Top view
Scale: 1:1

Ra1,6

DESIGNED BY: Jan Grulich	FAI - UTB ve Zlíně		I	-
DATE: 19.5.2011			H	-
CHECKED BY: Ing. Kamil Kyas	001		G	-
DATE: XXX			F	-
SIZE A3	Telo		E	-
SCALE 1:1			D	-
WEIGHT (kg) 0,06	DRAWING NUMBER	SHEET	C	-
			B	-
			A	-

This drawing is our property; it can't be reproduced or communicated without our written agreement.