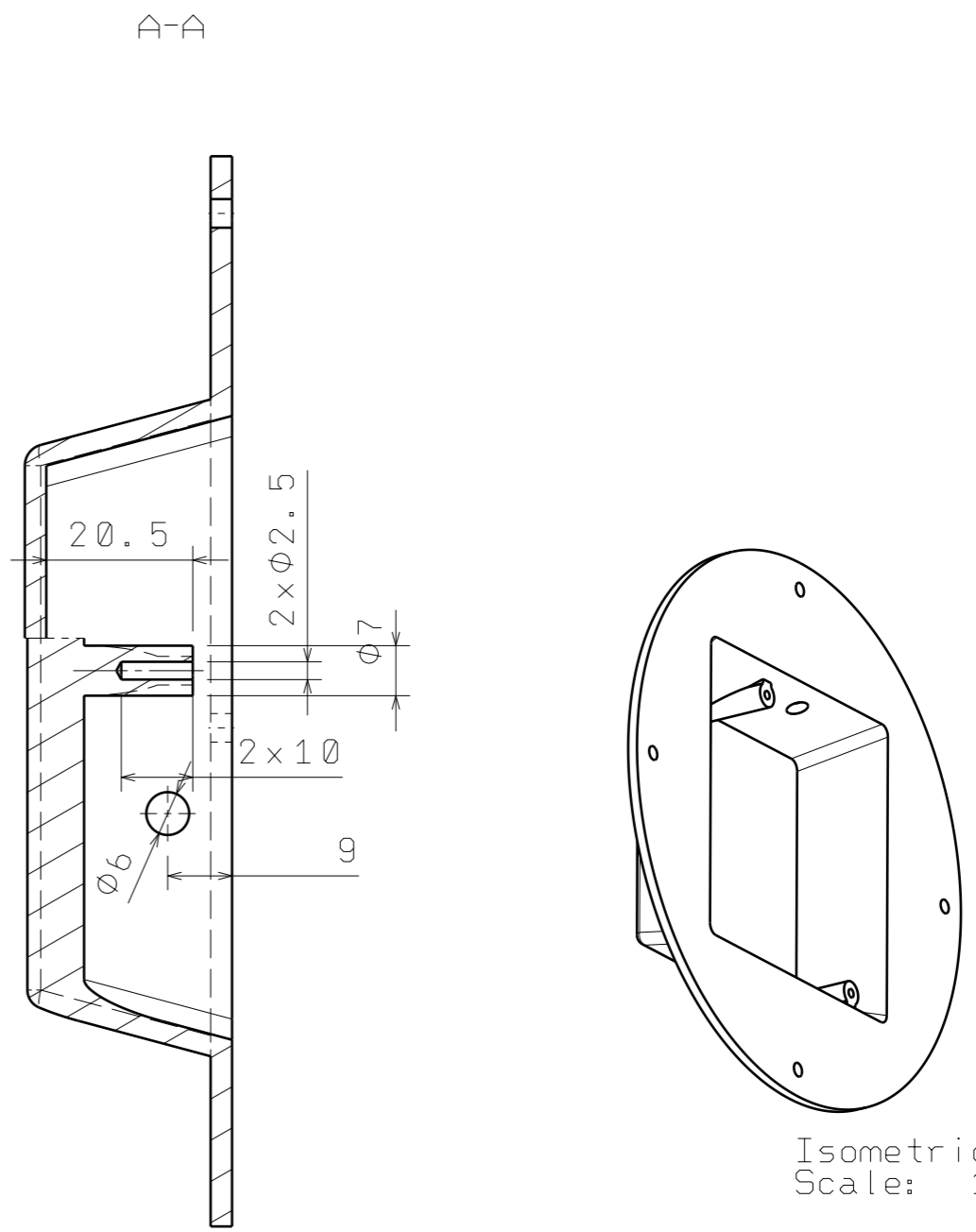
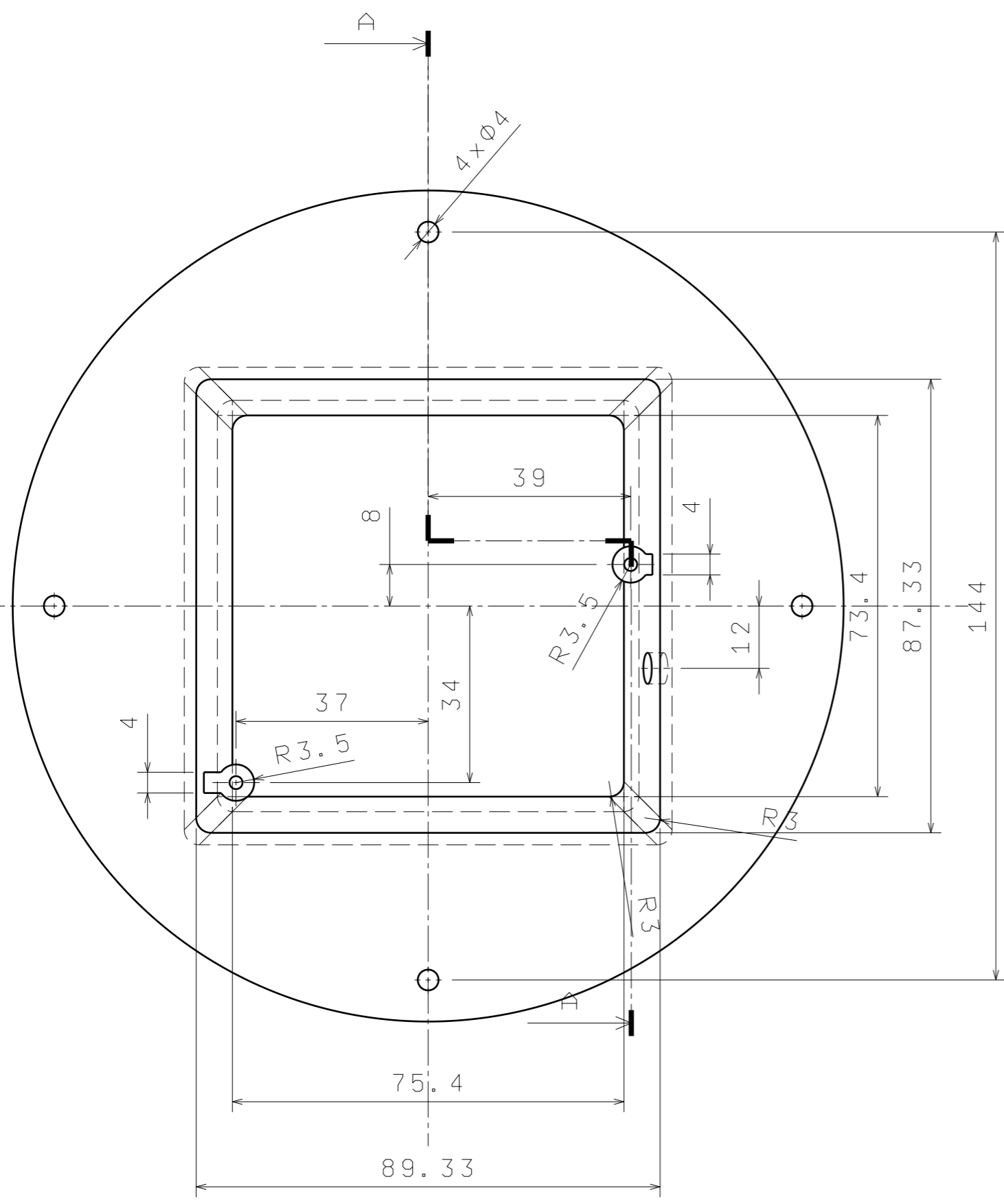


H G F E D C B A

4 3 2 1



Isometric view  
Scale: 1:2

DESIGNED BY: Jan Grulich		FAI - UTB ve Zlíně		I	-
DATE: 19.5.2011				H	-
CHECKED BY: Ing. Kamil Kyas		002		G	-
DATE: XXX				F	-
SIZE: A3		Zadni_kryt		E	-
SCALE: 1:1				WEIGHT (kg): 0,08	D
DRAWING NUMBER: 1/1		SHEET: 1/1		C	-
This drawing is our property; it can't be reproduced or communicated without our written agreement.				B	-
				A	-

H G B A